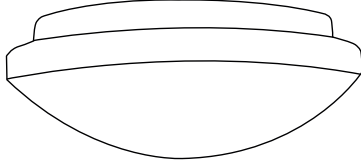


Installation and Operating Instruction for B.E.G. - circular lamp L1

1. Mounting preparations

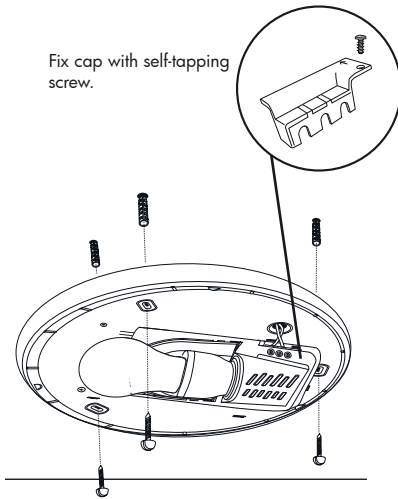
Work on the 230 V mains supply may only be carried out by qualified professionals or by instructed persons under the direction and supervision of qualified skilled electrical personnel in accordance with electrotechnical regulations.

Disconnect supply before installing!



2. Installation

For device installation, the in-house mains fuse must be removed.



Open the lamp by lightly turning the glass anti-clockwise. Lead the mains cable on the back of the lamp through the rubber bushing. Mark drill holes on the ceiling or wall. Drill suitable holes and push the plugs tightly into the holes. Screw on the lamp.

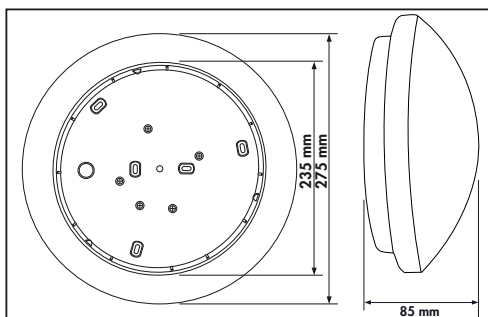
For wall mounting, please note:
The lamp must be installed **horizontally!**

3. Connections

Connect power supply as indicated in the terminal connection:

Phase = L
Neutral conductor = N

6. Article / Part nr.



6. Technical data

Power supply: 230 V~ ±10 %
Protection / class: IP40 / II / CE
Ambient temperature: -15°C to +30°C
Housing: Diffuser: glass
Lamps: max. 60 W – incandescent lamp or energy saving lamp E27
Mounting: wall or ceiling installation

CE Declaration of Conformity: The product complies with the low voltage recommendation 2006/95/EC and the EMV recommendation 2004/108/EC.

6. Article / Part nr. / Accessories

Type	Part nr.
L1 – Glass silk-matt	94453

Accessory
O-ring 37849