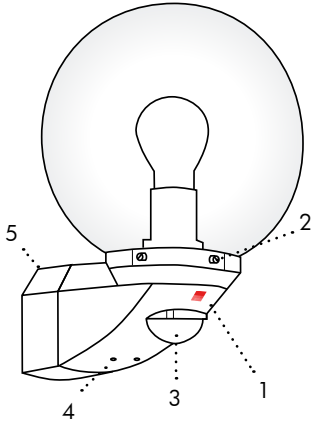


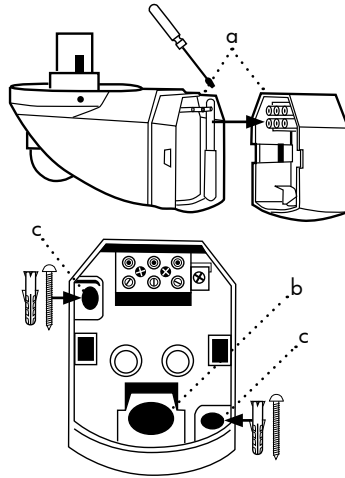


### 1. Assembly ALC-B-360 SLS



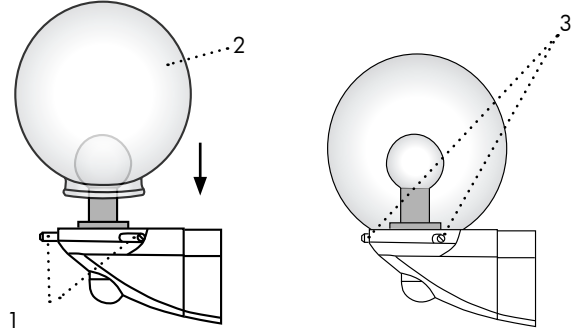
- 1) System light lower section can be freely combined with 17 different System-Globes SG
- 2) Socket ring with stud screws
- 3) Horizontally and vertically swivelling sensor head
- 4) Decorative LED secondary light (only ALC-B-360-DECO SLS) switchable by remote control
- 5) Plug-in connector base

### 2. Installation



- 1) Detach lighting part from the base by means of a screwdriver (a)
- 2) Insert the cable, from the bottom (b) or from the back here
- 3) Connect the cables as indicated by the terminal labels (see point 13 for wiring diagrams)
- 4) Attach the assembly base with two screws (c)
- 5) Screw in incandescent lamp E27/100W
- 6) Secure system glass to system light lower section (see point 3)

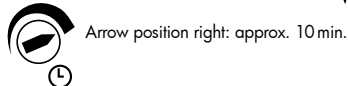
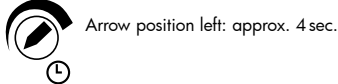
### 3. Attaching the system glass



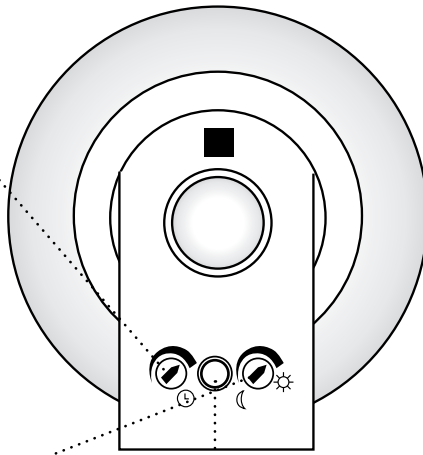
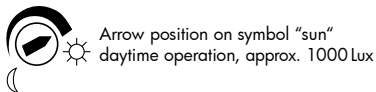
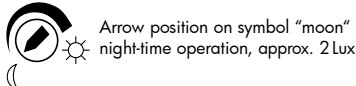
- 1) Un-fasten the stud screws (1)
- 2) Put system glass on socket ring (2)
- 3) Fasten the screws equally on all sides until the system-glass is firmly attached (3).

### 4. Putting into operation / Settings

**Twilight-switch for light control / follow-up time**  
Infinitely variable setting from approx. 4 sec. to approx. 10 min.

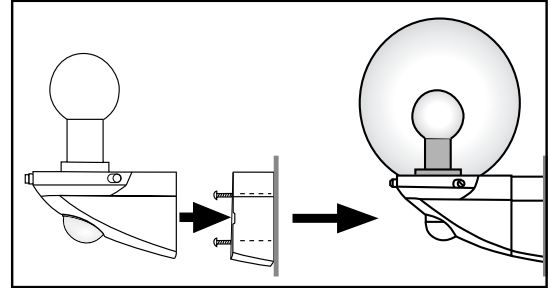


**Photo electric switch**  
Infinitely variable setting from approx. 2 to approx. 1000Lux by turning.

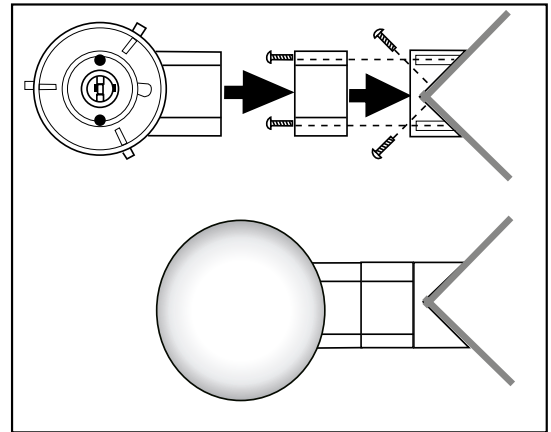


**DECO (only ALC-B-360-DECO)**  
If below set light value (60 sec.), the LED will switch on.

### 5. Mounting types

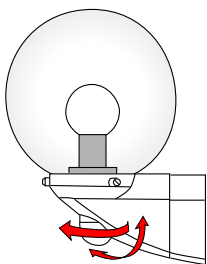


1) Wall mounting



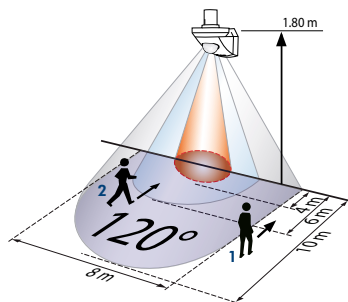
2) Outside corner mounting with plug-in socket

### 6. Range control



Detection area can be adapted to the local circumstances by turning the round optics.

### 7. Sensitivity adjustment (mounting height 1.80 m)



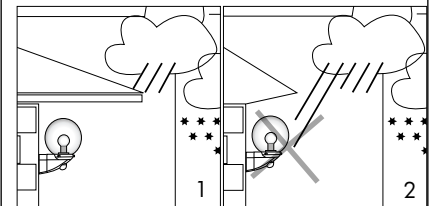
1 walking across

2 walking towards

anti-creep

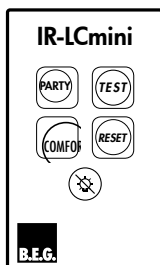
- 1) Range walking across: approx. 10 m
- 2) Range walking towards: approx. 8 m

### 8. Mounting place



- 1) If possible mount unit on a safe place.
- 2) Influence of weather reduces the lifetime of the unit. Please take care to mount correctly.

## 9. Settings of remote control



LUXOMAT® IR-LCmini (accessory, see point 16)

**Caution:** Settings with remote control subscribe the settings by courtesy of potentiometers (see point 4) (for description see point 10).

## 10. Functions of LUXOMAT® IR-LCmini

- TEST** **Test operation**  
Switches the light ON/OFF when movement is detected.
- PARTY** **Light ON for 12 h / Light OFF for 12 h**  
By pressing once the party button, the light is switched on for a period of 12 hours. By pressing the party button twice, the light remains switched off until the next evening (see point 11).
- Light OFF**  
Switches the light ON again when movement is detected.
- COMFORT** **Vacation- and comfort function**  
Switching ON/OFF  
On: By achieving the Lux value 1 hour daylight independent of movements, then normal operation (switching time changeable, see point 14)
- RESET** **Reset**  
Light OFF, then automatic mode

## 11. Activation "Light OFF"

Because of the sabotage protection the function "Light OFF" is deactivated in the factory. When required it must be activated again:

1. Mains to be disconnected
2. Mains to be connected - a self test cycle of 60 sec. starts (the LED is flashing, see point 5).
3. Activation/deactivation of the function "Light OFF" can be done only during the self testing cycle
- Light OFF** For activation of the function „Light OFF“ the button „Light OFF“ must be pressed during the self testing cycle (the LED will flash quickly).
- RESET** For deactivation „Light OFF“ the button „Reset“ must be pressed during the self testing cycle (the LED will flash slowly).

**Caution:** The implementation of "Reset" with potentiometers or with remote control (see point 10) does not influence the activation/deactivation of the function "Light OFF".

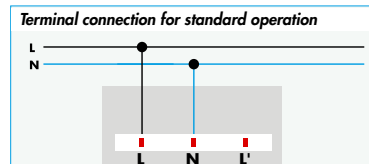
## 12. Vacation- and comfort function

The duration of the on-period can be adjusted:

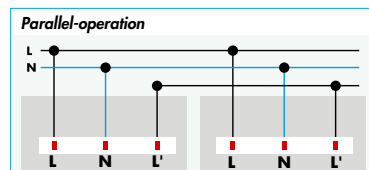
1. "Unlock" unit with remote control
2. The button "Comfort" to be operated. The LED flashes for 10 sec.
3. During these 10 seconds the duration of the light-on period can be selected: from e.g. 15 sec. = 15 min. up to 16 min. = 16 hrs
4. The unit to be locked with the button "Lock".
5. "Vacancy/Comfort" is activ now (deactivation see point 10)

**Caution:** If the "Vacation- and comfort function" is active or with lower deviation of the Lux value the LC-plus turns on the light again after a time delay of 60 sec.

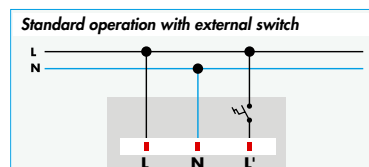
## 13. Wiring diagrams



Standby

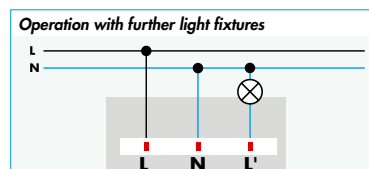


Parallel switching of lamps.

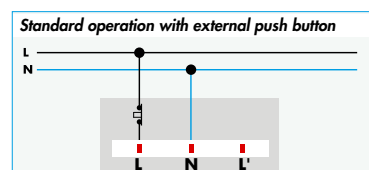


Standby

Switching is manually possible.



Additional connection of further light fixtures over contact L' is possible.



Standby

additionally manual switching is possible (NC-contact to press for approx. 2 sec.).

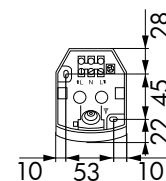
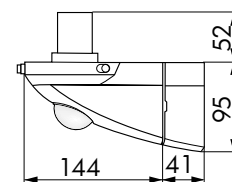


**Caution:** have all work involving the 230 V mains supply carried out by a qualified electrician! Before starting disconnect the mains!

## 14. Technical data

**Power supply:** 230 V~ ±10%  
**Range:** approx. 10 m by 1.80 m mounting height  
**Lamps:** E27/100 W  
**Total switching power:** 200 W  
**Time settings:** 4 sec. - approx. 10 min.  
**Light sensor:** approx. 2 - 2000 Lux  
**Detection area:** 360° vertical  
 120° horizontal  
**Degree of protection / class:** IP44 / II  
**Dimensions:** L 185 x W 107 x H 147 mm  
**Material:** UV-stabilised Polycarbonate  
**Colours:** white / black  
**Mounting types:** wall mounting, outside corner mountable with plug-in socket (optional)  
**Inserting of the connection cable:** from the bottom or from the back  
**Electrical adjustments:** in traditional manner with potentiometers valid for follow-up time, light sensor

## 15. Dimensions (mm)



## 16. Article / Part nr. / Accessory

|  |        |       |
|--|--------|-------|
| <b>LUXOMAT® Automatic system lamp:</b> |        |       |
| ALC-B-360 DECO SLS                     | white: | 91351 |
|  | black: | 91352 |
| ALC-B-360 SLS                          | white: | 91301 |
|  | black: | 91321 |

### Accessory (optional)

|  |      |       |
|--|------|-------|
| <b>Remote control (only for ALC-B-DECO):</b> |      |       |
| LUXOMAT® IR-LCmini                           | grey | 92093 |

### LUXOMAT® Socket base for outside corner mounting:

|        |        |       |
|--------|--------|-------|
| ALC-ES | white: | 91305 |
| ALC-ES | black: | 91325 |

## Option: 17 different System-Globes

