



New flexibility for industry and logistics thanks to Bluetooth-controlled sensors

- Casambi-enabled occupancy detector for surface mounting at great heights
- Wireless networkable for great flexibility
- Flexible and quick parameterisation of individual sensors via mobile phone/tablet using the Casambi app
- Perfect light measurement thanks to telescopic light sensor and selectable reflection factor
- Individual sensitivity adjustment of the three integrated motion sensors
- Powerful localisation LED for quick and safe commissioning



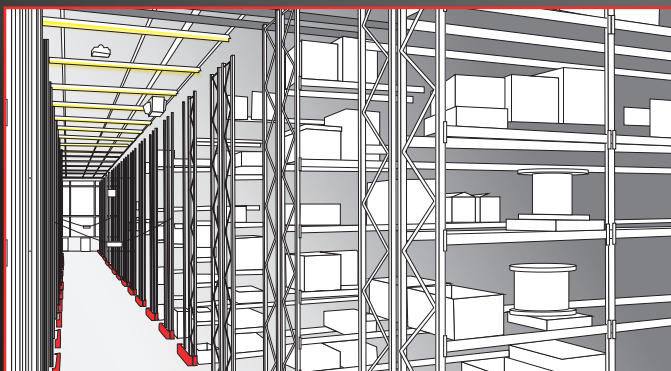
Two models to choose from

The PD4-CAS-GH DALI-2 enables intelligent, wireless expansion/retrofitting to existing DALI-controlled lighting systems. It has a certified DALI-2 output with integrated power supply. Without much installation effort, the device can easily be connected to a DALI line.

A PD4-CAS-GH can be used for integration into CASAMBI systems. It makes its sensor information available wirelessly to all other devices in the system.

The new Casambi-enabled PD4-CAS-GH DALI-2 and PD4-CAS-GH occupancy detectors enable wirelessly networked lighting control with a great deal of flexibility without increased installation effort. For example, several individual lighting strips can be combined in a lighting scene and orientation lighting areas can be set up. This provides increased comfort and safety for the user.

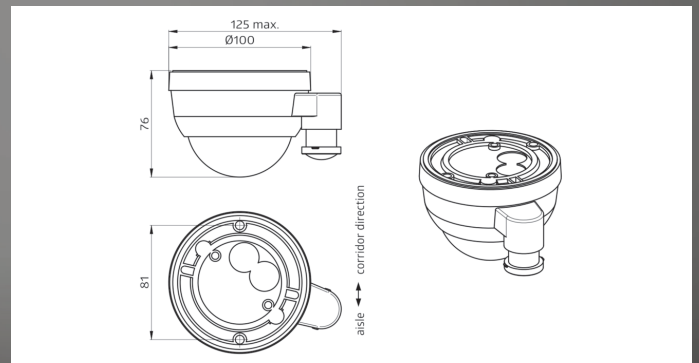
High ceilings, long corridors, large halls – these are all places where the PD4-GH sensors can be used. Thanks to the telescopic light sensor that can be pulled out, the measuring range can be optimised even for an installation height of up to 16 metres. Together with the adjustable parameters, this ensures reliable and energy-efficient constant light control. The oval detection area is optimally designed for use in long aisles: It has a diameter of 30 m in longitudinal direction even for frontal movements.



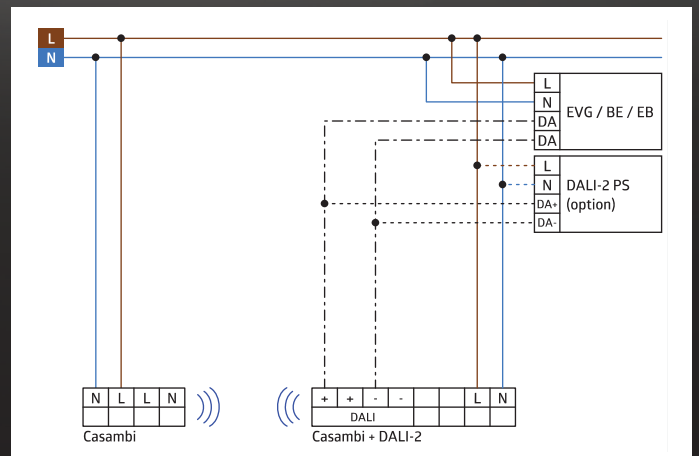
Technical data

- Voltage: 230 V AC ±10% 50 Hz
- Dimensions: Ø 101 x 76 mm
- Settings: Casambi App
- Power consumption: 0,4 W
- Degree / class of protection: IP54 / Class II
- Ambient temperature: -5°C to +45°C
- Range: 30 m x 19 m
- Mounting height min./max./recommended: 5 m / 16 m / 14 m
- DALI output current guaranteed (PD4-CAS-GH DALI-2): 80 mA

Dimensions



Wiring diagram



Products

Description	Colour	Part no.
PD4-CAS-GH DALI-2	white	93471
PD4-CAS-GH	white	93472

