

**B.E.G. LUXOMAT® net**

CASAMBI



## PD2N-CAS DALI-2

Wireless all-in-one solution  
for small rooms



- Casambi-enabled presence detector for small rooms
- With a detection range of up to 10 m and 2 light sensors, perfect for use in smaller rooms
- Can be networked wirelessly and can be colour-customized with accessories for great flexibility
- Flexible and fast parameterization of individual sensors via smartphone/tablet using the Casambi app
- Mixed light measurement using internal and external light sensor, customizable to suit the application
- Extension of the detection area with additional B.E.G. Casambi devices possible



## Wireless flexibility now also for small rooms

With the new Casambi-compatible PD2N-CAS DALI-2 and PD2N-CAS occupancy detectors, the ideal wireless all-in-one solution is now also available for smaller rooms. DALI luminaires can be controlled directly with the PD2N-CAS DALI-2 via the integrated DALI-2 power supply. The single master device can be connected to the DALI line without much installation effort and yet scenes and functions across lines are possible thanks to wireless communication.

The PD2N-CAS provides the same sensor functionality without any deductions and supplements Casambi systems with reliable motion detection and light measurement.

The B.E.G.-specific parameters enable important settings such as reducing the detection range, taking into account the reflective properties of surfaces and the weighting between two integrated light sensors. In this way, the sensor adapts to the individual conditions on site.

Entrance areas, small offices, open-plan offices, classrooms/seminar rooms – these are the areas of application for these sensors.

The combination of PD2N-CAS DALI-2 and PD2N-CAS is an excellent addition to DALI luminaires and offers all the functions required in the office environment.



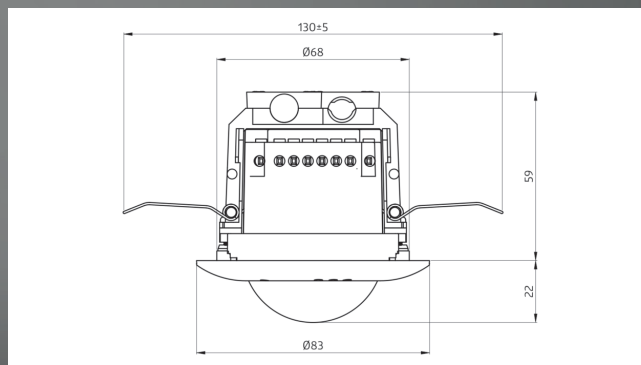
## Products

Description	Colour	Part no.
PD2N-CAS DALI-2	white	93476
PD2N-CAS	white	93477

## Technical data

- Voltage: 230 V~ ±10% 50 Hz
- Dimensions: Ø 83 x 85 mm
- Settings: Casambi App
- Typ. power input: 0.5 W
- Degree / class of protection: IP20 / Class II
- Ambient temperature: -5°C to +45°C
- Range: max. Ø 10 m
- Mounting height min./max./recommended: 2 m / 5 m / 2.5 m
- DALI output (PD2N-CAS DALI-2): 80 mA

## Dimensions



## Wiring diagram

