

B.E.G.**LUXOMAT®**

PD4-M-1C-C-SM

Prod.No. 92587 EAN: 4007529925872

- Voltage: 110 – 240 V AC 50 / 60 Hz
- Dimensions: SM= Ø 101 x 76 mm
- Power consumption: approx. 0.5 W

Areas of application

- corridors/hallways

Order data

Designation	Colour	Art.No
PD4-M-1C-C-SM	white	92587

Accessories

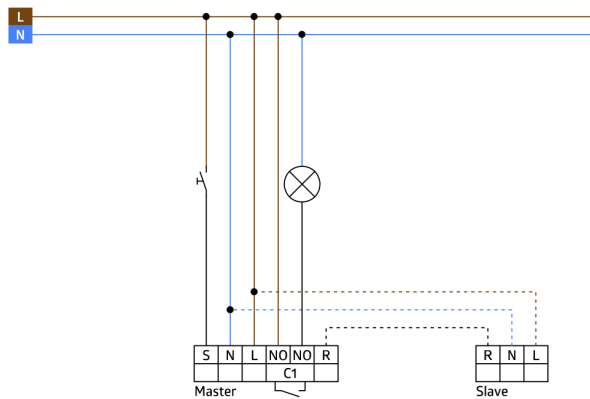
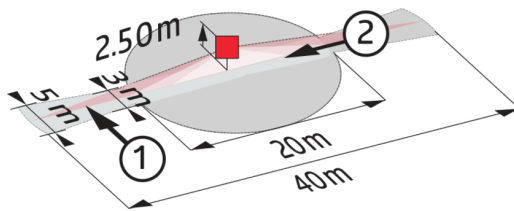
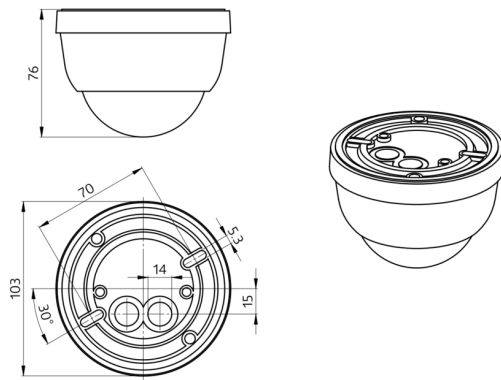
Designation	Colour	Art.No
RC-Arc extinction kit	white	10880
Mini-RC-Arc extinction kit		10882
BLE-IR-Adapter	black	93067
IR-PD-1C	-	92520
IR-PD-1C-E	-	92077
IR-PD-Mini	-	92159
Wire basket BSK (Ø 200 x 90 mm)	white	92199
Wall holder PD4-SM	white	92441

Technical data

Voltage:	110 – 240 V AC 50 / 60 Hz
Dimensions:	SM= Ø 101 x 76 mm
Power consumption:	approx. 0.5 W
Detection area:	horizontal 360° (Ceiling mounting) max. 40 m x 5 m across
Range:	max. 20 m x 3 m towards
Monitored area (tangential movement):	250 m ² / 2.5 m mounting height
Mounting height min./max./recommended:	2.4 m / 2.6 m / 2.5 m
Degree / class of protection:	SM= IP54 / Class II
Impact strength:	IK04
Ambient temperature:	-25 °C to +50 °C
Housing:	polycarbonate, UV-resistant
Material color:	white mat, similar to RAL9010
Channel 1 (lighting control, potential-free (dry))	
	2300 W, cos φ = 1
	1150 VA, cos φ = 0.5
Switching power:	300 W LED max. inrush current I_p (20 ms) = 165 A max. inrush current I_p (200 μ s) = 800 A
Type of contact (k):	1x μ -contact, dry NO contact with tungsten pre- make contact
Follow-up time:	15 sec – 30 min, Pulse
Switch-on threshold:	10 – 2000 Lux
Light measuring:	Mixed light measuring

Product information

Occupancy detector designed for corridors
One potential-free (dry) switching contact
Version as master device
Detection area can be extended by using slave devices
Manual switching via push-button possible
Additional functions can be set up using the optional remote control.
Factory settings 10 min and 500 lux
There are markings to ensure correct alignment during installation
Application examples: corridors/hallways



Accessories



RC-Arc extinction kit
Art.No: 10880

Voltage: 230 V AC $\pm 10\%$
Dimensions: 38 x 12 x 26 mm
Degree / class of protection: IP20 / Class II



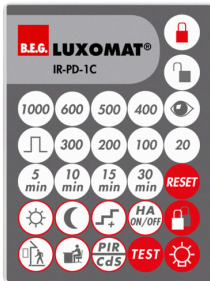
Mini-RC-Arc extinction kit
Art.No: 10882

Voltage: 230 V AC $\pm 10\%$
Dimensions: 50 x 23 x 8 mm
Degree / class of protection: IP20 / Class II



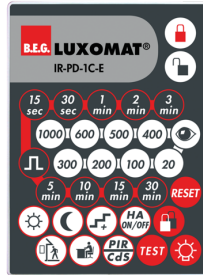
BLE-IR-Adapter
Art.No: 93067

Dimensions: 40 x 55 x 103 mm
Material color: black
Frequency: 2.4 GHz ISM band, GFSK
0.2 dBm + 5.3 dBi = 5.5 dBm



IR-PD-1C
Art.No: 92520

Battery: 3.0 V Lithium CR2032 (inclusive)
Dimensions: 80 x 60 x 8 mm
Material color: -



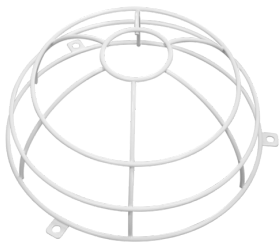
IR-PD-1C-E
Art.No: 92077

Battery: 3.0 V Lithium CR2032 (inclusive)
Dimensions: 80 x 60 x 8 mm
Material color: -



IR-PD-Mini
Art.No: 92159

Battery: 3.0 V Lithium CR2032 (inclusive)
Dimensions: 57 x 35 x 7 mm
Material color: -



Wire basket BSK (Ø 200 x 90 mm)
Art.No: 92199

Dimensions: Ø 200 x 90 mm
Impact strength: IK09
Housing: coated steel basket



Wall holder PD4-SM
Art.No: 92441

Dimensions: 130 x 100 x 53 mm
Housing: polycarbonate, UV-resistant
Material color: white