

B.E.G.**LUXOMAT®**

HF-MD3

Prod.No. 94437 EAN: 4007529944378

- Voltage: 110 - 240 V AC 50 / 60 Hz
- Dimensions: 120 x 40 x 26 mm
- Power consumption: approx. 0.5 W

Order data

Designation	Colour	Art.No
HF-MD3	white	94437

Accessories

Designation	Colour	Art.No
BLE-IR-Adapter	black	93067
HF-EM1 external light sensor with IR receiver		94459

Technical data

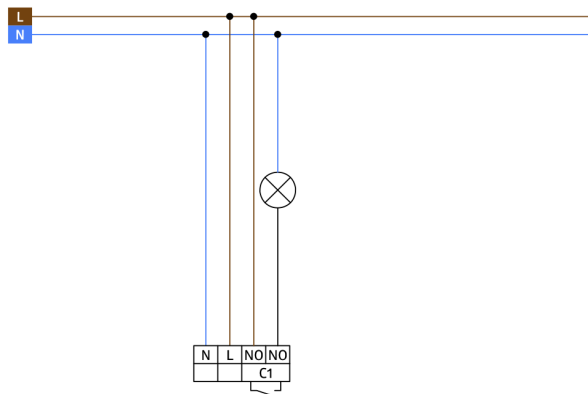
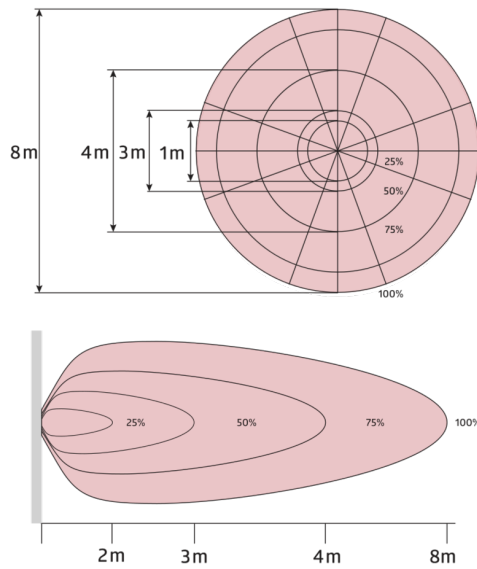
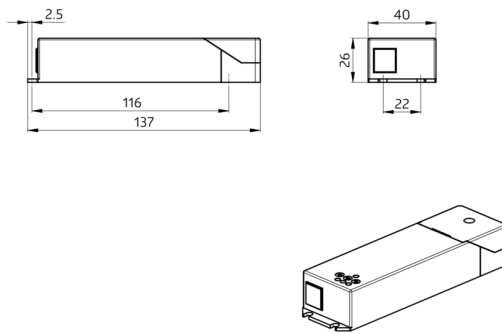
Voltage:	110 - 240 V AC 50 / 60 Hz
Dimensions:	120 x 40 x 26 mm
Power consumption:	approx. 0.5 W
Detection area:	horizontal 360° (Ceiling mounting) Ø 0.2 - 7 m
Monitored area (tangential movement):	38 m ² / 2.5 m mounting height
Mounting height min./max./recommended:	2 m / 2.5 m / 2.5 m
Degree / class of protection:	IP20 / Class II
Ambient temperature:	-15 °C to +50 °C
Housing:	polycarbonate, UV-resistant
Material color:	white mat, similar to RAL9010

Channel 1 (lighting control)

Switching power:	2300 W, $\cos \varphi$ = 1 1150 VA, $\cos \varphi$ = 0.5
Type of contact (k):	1x μ -contact, NO contact
Follow-up time:	15 sec - 30 min
Switch-on threshold:	10 - 1200 Lux
Radar / HF technology:	5.8 GHz, < 10 mW

Product information

Microwave occupancy detector for indoor use
Light sensor integrated into case
Setup via potentiometer on device
Extendible by external light sensor with integrated IR receiver for remote capability of the detector
Temperature-independent detection
Detection through glass, wood and partition walls



Accessories



BLE-IR-Adapter

Art.No: 93067

Dimensions: 40 x 55 x 103 mm

Material color: black

Frequency: 2.4 GHz ISM band, GFSK 0.2 dBm + 5.3 dBi = 5.5 dBm



HF-EM1 external light sensor with IR receiver

Art.No: 94459

Material color: white