

**B.E.G.****LUXOMAT®**

## HF-MD1

Prod.No. 94401 EAN: 4007529944019

- Voltage: 230 V AC +/- 10% 50 / 60 Hz
- Dimensions: 101 x 42 x 42 mm
- Power consumption: approx. 1.2 W

### Areas of application

- toilets
- equipment rooms
- plumbed rooms/bathrooms

### Order data

Designation	Colour	Art.No
HF-MD1	white	94401

### Accessories

Designation	Colour	Art.No
RC-Arc extinction kit	white	10880
Mini-RC-Arc extinction kit		10882

## Technical data

Voltage:	230 V AC +/- 10% 50 / 60 Hz
Dimensions:	101 x 42 x 42 mm
Power consumption:	approx. 1.2 W horizontal 360° (Ceiling mounting)
Detection area:	Ø 0.4 - 16 m
Range:	max. 8 m towards
Monitored area (tangential movement):	200 m <sup>2</sup> / 2.5 m mounting height
Mounting height min./max./recommended:	1 m / 4 m / 2.5 m
Degree / class of protection:	IP20 / Class II
Ambient temperature:	-15 °C to +50 °C
Housing:	polycarbonate, UV-resistant
Material color:	white mat, similar to RAL9010

### Channel 1 (lighting control)

Switching power:	1200 W, $\cos \varphi$ = 1 max. inrush current $I_p$ (20 ms) = 120 A
Type of contact (k):	1x $\mu$ -contact, NO contact <b>HF-MD1:</b> 5 sec - 15 min <b>HF-MD1 ESL:</b> (for use with fluorescent lamps) 5 min - 15 min
Follow-up time:	
Switch-on threshold:	2 - 2000 Lux
Radar / HF technology:	5.8 GHz, < 10 mW

## Product information

Microwave motion detector, designed for surface mount and installation in lights

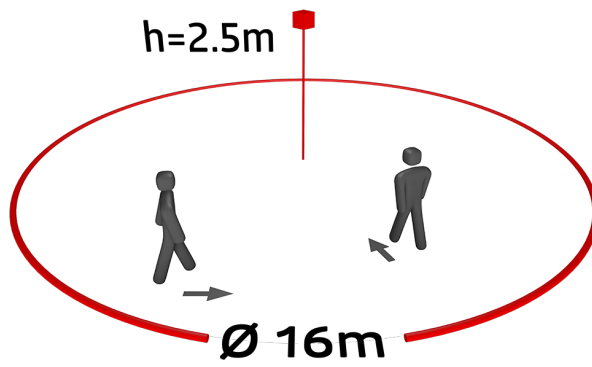
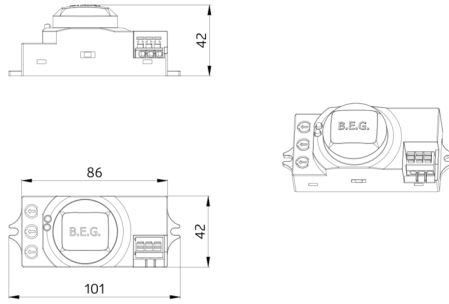
Temperature-independent detection

Detection can be made through various materials

Range, switch-on threshold and follow-up time set via potentiometers

### Application examples:

toilets, equipment rooms, plumbed rooms/bathrooms



## Accessories



### RC-Arc extinction kit

Art.No: 10880

Voltage: 230 V AC  $\pm 10\%$

Dimensions: 38 x 12 x 26 mm

Degree / class of protection: IP20 / Class II



### Mini-RC-Arc extinction kit

Art.No: 10882

Voltage: 230 V AC  $\pm 10\%$

Dimensions: 50 x 23 x 8 mm

Degree / class of protection: IP20 / Class II