

B.E.G.**LUXOMAT®**

- Voltage: 230 V AC ±10% 50 Hz
- Dimensions: Ø 106 x 95 mm
- Settings: Casambi App

PD4N-CAS DALI-2

Prod.No. 93473 EAN: 4007529934737

Order data

Designation	Colour	Art.No
PD4N-CAS DALI-2	white	93473

Accessories

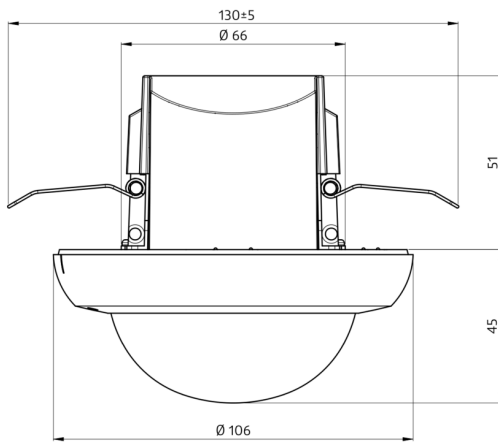
Designation	Colour	Art.No
SM socle mounting set IP54 PD4N H	white	93465
SM socle mounting set IP65 PD4N	white	93314
Corridor lens PD4N type A, Cover ring	traffic white	93742
Corridor lens PD4N type A, Cover ring	anthracite	93741
Corridor lens PD4N type A, Cover ring	black	93743
Corridor lens PD4N type A	white	93073
lens PD4N, Cover ring	anthracite	93731
lens PD4N, Cover ring	black	93733
lens PD4N, Cover ring	traffic white	93732
Wire basket BSK (Ø 200 x 90 mm)	white	92199
Wall holder PD2N/4N Typ A	white	93164
SM socket for Wall holder	white	93192

Technical data

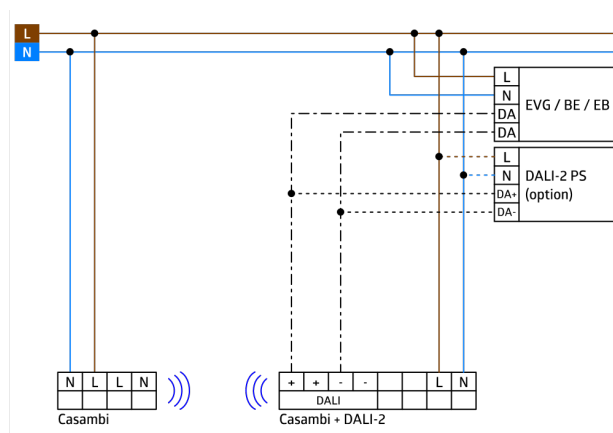
Voltage:	230 V AC ±10% 50 Hz
Dimensions:	Ø 106 x 95 mm
Settings:	Casambi App
Power consumption:	0.5 W
Detection area:	horizontal 360° oval (Ceiling mounting) max. Ø 24 m across max. Ø 8 m towards max. Ø 6.4 m seated
Range:	
Monitored area (tangential movement):	450 m ² / 2.5 m mounting height
Mounting height min./max./recommended:	2 m / 10 m / 2.5 m
Degree / class of protection:	IP20 / Class II
Impact strength:	IK04
Ambient temperature:	-5 °C to +45 °C
Housing:	polycarbonate, UV-resistant white mat, similar to RAL9010
Material color:	
Number of PIR sensors:	4
Channel 1 (lighting control)	
DALI output:	80 mA (guaranteed), 125 mA (max.), shut down mechanism
Supported control gear:	DT0, DT5, DT6, DT7, DT8
Supported control devices:	- (single master)
Follow-up time:	1 sec – 60 min
Brightness set value:	1 – 4000 Lux
Light measuring:	Mixed light measuring

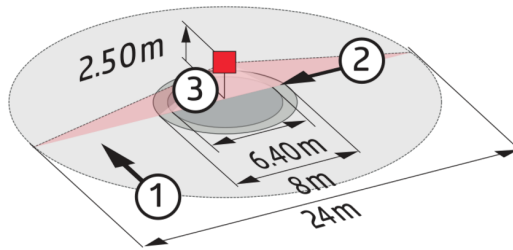
Product information

Casambi-enabled occupancy detector
DALI-2 interface for controlling digital dimmable ECGs in broadcast/multicast mode
Integrated temperature monitoring and short-circuit detection
Version as single-master device, can be networked wirelessly
DALI output power can be increased with accessories
Bright LED indication for commissioning
Mixed light measurement with internal and external light sensor
Weighting between internal and external light sensor can be adapted to suit the application
Adjustment of the reflection factor and input of the luminosity for the display of the actual luminosity in the app
Extension of the detection area with additional B.E.G. Casambi devices possible
Individual adaption of detection sensitivity for each PIR sensor
Detection area can be restricted with blinds
Functions adjustable via Casambi app
Including pre-assembled spring clamp with strain relief and contact protection cap for recessed ceiling mounting
Accessory for surface mounting available
Accessories for wall mounting optionally available
Further accessories for colour matching optionally available
Application examples: entrance halls, corridors/hallways, open-plan offices, conference rooms, classrooms/seminar rooms, sports halls/ storage rooms, underground car parks, staircases, toilets, equipment rooms, small offices



CASAMBI





Accessories



SM socle mounting set IP54 PD4N H
Art.No: 93465

Dimensions: Ø 110 x 45 mm
Degree / class of protection: IP54
Material color: white, similar to RAL9010



SM socle mounting set IP65 PD4N
Art.No: 93314

Dimensions: 133 x 133 x 69 mm
Degree / class of protection: IP65
Material color: white



Corridor lens PD4N type A, Cover ring
Art.No: 93742

Detection area: horizontal 360° (Ceiling mounting)
Range: max. 40 m x 5 m across
max. 20 m x 3 m towards
Monitored area (tangential movement): 250 m² / 2.5 m mounting height



Corridor lens PD4N type A, Cover ring
Art.No: 93741

Detection area: horizontal 360° (Ceiling mounting)
Range: max. 40 m x 5 m across
max. 20 m x 3 m towards
Monitored area (tangential movement): 250 m² / 2.5 m mounting height



Corridor lens PD4N type A, Cover ring
Art.No: 93743

Detection area: horizontal 360° (Ceiling mounting)
Range: max. 40 m x 5 m across
max. 20 m x 3 m towards
Monitored area (tangential movement): 250 m² / 2.5 m mounting height



Corridor lens PD4N type A
Art.No: 93073

Detection area: horizontal 360° (Ceiling mounting)
Range: max. 40 m x 5 m across
max. 20 m x 3 m towards
Monitored area (tangential movement): 250 m² / 2.5 m mounting height



lens PD4N, Cover ring
Art.No: 93731

Detection area: horizontal 360° (Ceiling mounting)
Range: max. Ø 24 m across
max. Ø 8 m towards
max. Ø 6.4 m seated
Monitored area (tangential movement): 450 m² / 2.5 m mounting height



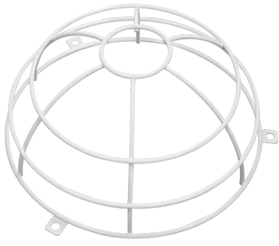
lens PD4N, Cover ring
Art.No: 93733

Detection area: horizontal 360° (Ceiling mounting)
Range: max. Ø 24 m across
max. Ø 8 m towards
max. Ø 6.4 m seated
Monitored area (tangential movement): 450 m² / 2.5 m mounting height



lens PD4N, Cover ring
Art.No: 93732

Detection area: horizontal 360° (Ceiling mounting)
Range: max. Ø 24 m across
max. Ø 8 m towards
max. Ø 6.4 m seated
Monitored area (tangential movement): 450 m² / 2.5 m mounting height



Wire basket BSK (Ø 200 x 90 mm)
Art.No: 92199

Dimensions: Ø 200 x 90 mm
Impact strength: IK09
Housing: coated steel basket



Wall holder PD2N/4N Typ A
Art.No: 93164

Dimensions: 133 x 106 x 66 mm
Degree / class of protection: IP54
Housing: polycarbonate, UV-resistant



SM socket for Wall holder
Art.No: 93192

Dimensions: 103 x 80 x 26 mm
Housing: polycarbonate, UV-resistant
Material color: white