

**B.E.G.****LUXOMAT®**

## PD4-M-1C-GH-SM

Prod.No. 92245 EAN: 4007529922451

- Voltage: 110 - 240 V AC 50 / 60 Hz
- Dimensions: Ø 98 x 63 mm
- Power consumption: approx. 0.5 W

### Areas of application

- high-bay warehouse
- sports halls/ storage rooms

### Order data

Designation	Colour	Art.No
PD4-M-1C-GH-SM	white	92245

### Accessories

Designation	Colour	Art.No
RC-Arc extinction kit	white	10880
Mini-RC-Arc extinction kit		10882
BLE-IR-Adapter	black	93067
IR-PD-LD	-	92479
IR-Adapter for Smartphones	black	92726
Surface mounting socket IP65 for PD4-SM IP20	white	92375
SM socket IP54 for PD2- / PD4-SM	white	92161
Wire basket BSK (Ø 200 x 90 mm)	white	92199

## Technical data

Voltage:	110 - 240 V AC 50 / 60 Hz
Dimensions:	Ø 98 x 63 mm
Power consumption:	approx. 0.5 W
Detection area:	horizontal 360° oval (Ceiling mounting)
Range:	30 m x 19 m
Monitored area (tangential movement):	440 m <sup>2</sup> / 14 m mounting height
Mounting height min./max./recommended:	5 m / 16 m / 14 m
Degree / class of protection:	IP20 / Class II
Impact strength:	IK04
Ambient temperature:	-25 °C to +50 °C
Housing:	polycarbonate, UV-resistant
Material color:	white mat, similar to RAL9010

### Channel 1 (lighting control, potential-free (dry))

Switching power:	2300 W, $\cos \varphi$ = 1 1150 VA, $\cos \varphi$ = 0.5 300 W LED max. inrush current $I_p$ (20 ms) = 165 A max. inrush current $I_p$ (200 $\mu$ s) = 800 A
Type of contact (k):	1x $\mu$ -contact, dry NO contact with tungsten pre-make contact
Follow-up time:	15 sec - 30 min, Pulse
Switch-on threshold:	20 - 2000 Lux
Light measuring:	Mixed light measuring

## Product information

Occupancy detector designed for high-bay warehouses

One potential-free (dry) switching contact

Version as master device

Detection area can be extended by using slave devices

### Easy operation with remote control (required)

Manual switching via push-button possible

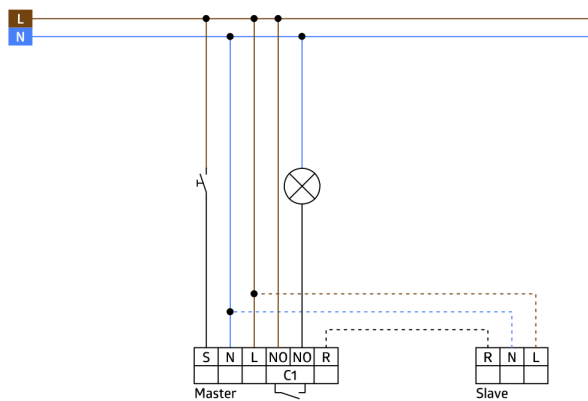
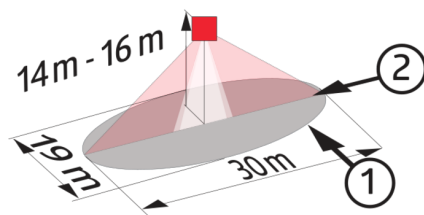
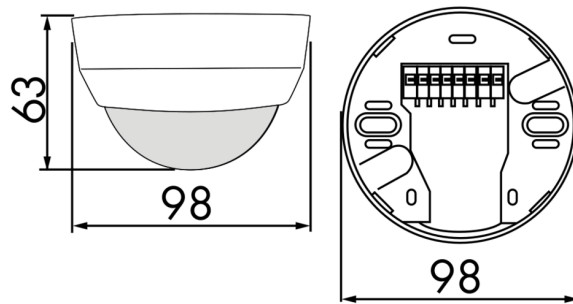
There are markings to ensure correct alignment during installation

**When used in high-bay warehouses, care should be taken that, in the cross-aisles of the warehouse, detectors are installed that can detect movement only in the desired aisle locations, by using blinds or other technical arrangements.**

Factory settings 3 min and 1000 lux

### Application examples:

high-bay warehouse, sports halls/ storage rooms



## Accessories



**RC-Arc extinction kit**  
Art.No: 10880

Voltage: 230 V AC  $\pm 10\%$   
Dimensions: 38 x 12 x 26 mm  
Degree / class of protection: IP20 / Class II



**Mini-RC-Arc extinction kit**  
Art.No: 10882

Voltage: 230 V AC  $\pm 10\%$   
Dimensions: 50 x 23 x 8 mm  
Degree / class of protection: IP20 / Class II



**BLE-IR-Adapter**  
Art.No: 93067

Dimensions: 40 x 55 x 103 mm  
Material color: black  
Frequency: 2.4 GHz ISM band, GFSK  
0.2 dBm + 5.3 dBi = 5.5 dBm



**IR-PD-LD**  
Art.No: 92479

Battery: 3 x 1.5 V Micro AAA (not included)  
Dimensions: 83 x 53 x 17 mm  
Material color: -



**IR-Adapter for Smartphones**  
Art.No: 92726

Dimensions: 47 x 19 x 10 mm  
Degree / class of protection: IP20  
Ambient temperature: -20 °C to +40 °C



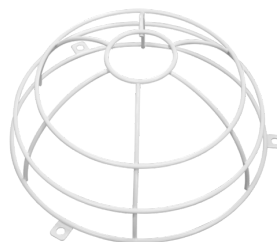
**Surface mounting socket IP65 for PD4-SM IP20**  
Art.No: 92375

Dimensions:  $\varnothing$  115 x 70 mm  
Degree / class of protection: IP65  
Impact strength: IK07



**SM socket IP54 for PD2- / PD4-SM**  
Art.No: 92161

Dimensions:  $\varnothing$  100 x 15 mm  
Degree / class of protection: IP54  
Housing: polycarbonate, UV-resistant



**Wire basket BSK ( $\varnothing$  200 x 90 mm)**  
Art.No: 92199

Dimensions:  $\varnothing$  200 x 90 mm  
Impact strength: IK09  
Housing: coated steel basket