

B.E.G.**LUXOMAT®**

PD3N-1C-FC

Prod.No. 92196 EAN: 4007529921966

- Voltage: 110 - 240 V AC 50 / 60 Hz
- Dimensions: FC= Ø 83 x 81 mm
- Power consumption: approx. 0.5 W

Areas of application

- corridors/hallways
- staircases
- toilets
- equipment rooms

Order data

Designation	Colour	Art.No
PD3N-1C-FC	white	92196

Accessories

Designation	Colour	Art.No
RC-Arc extinction kit	white	10880
Mini-RC-Arc extinction kit		10882
BLE-IR-Adapter	black	93067
IR-PD3/4N-1C-E	-	93110
IR-PD3N	-	92105
IR-PD-Mini	-	92159
Wire basket BSK (Ø 200 x 90 mm)	white	92199
Square design frame PD3N-FC	white	92991

Technical data

Voltage:	110 - 240 V AC 50 / 60 Hz
Dimensions:	FC= Ø 83 x 81 mm
Power consumption:	approx. 0.5 W
Detection area:	horizontal 360° (Ceiling mounting) max. Ø 10 m across max. Ø 6 m towards max. Ø 4 m seated
Range:	
Monitored area (tangential movement):	78 m ² / 2.5 m mounting height
Mounting height min./max./recommended:	2 m / 5 m / 2.5 m
Degree / class of protection:	FC= IP23 / Class II
Impact strength:	IK04
Ambient temperature:	-25 °C to +50 °C
Housing:	polycarbonate, UV-resistant
Material color:	white mat, similar to RAL9010

Channel 1 (lighting control)

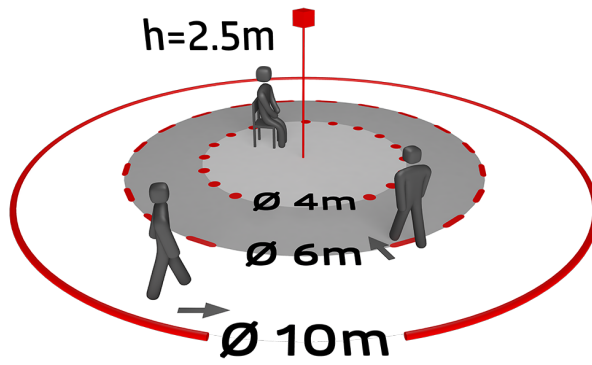
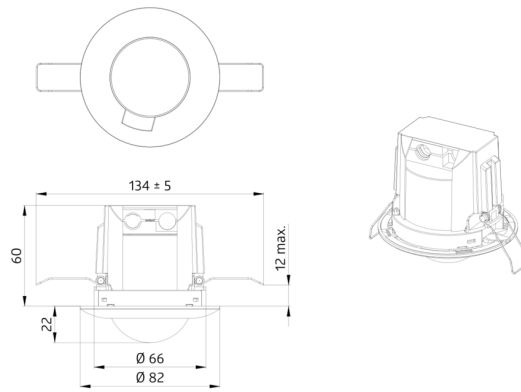
Switching power:	2300 W, $\cos \varphi$ = 1 1150 VA, $\cos \varphi$ = 0.5 300 W LED max. inrush current I_p (20 ms) = 165 A max. inrush current I_p (200 μ s) = 800 A
Type of contact (k):	1x μ -contact, NO contact with tungsten pre- make contact
Follow-up time:	15 sec - 30 min, Pulse
Switch-on threshold:	10 - 2000 Lux

Product information

Remote control-capable ceiling motion detector
One channel for light switching
Zero crossing switching
Special optical system for detection of even the smallest movements
Uninterrupted parallel circuit detection of several detectors
Manual switching via push-button possible
Additional functions can be set up using the optional remote control.
Factory settings 10 min and 500 lux

Application examples:

corridors/hallways, staircases, toilets, equipment rooms



Accessories



RC-Arc extinction kit
Art.No: 10880

Voltage: 230 V AC $\pm 10\%$
Dimensions: 38 x 12 x 26 mm
Degree / class of protection: IP20 / Class II



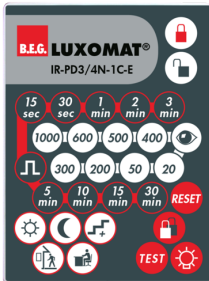
Mini-RC-Arc extinction kit
Art.No: 10882

Voltage: 230 V AC $\pm 10\%$
Dimensions: 50 x 23 x 8 mm
Degree / class of protection: IP20 / Class II



BLE-IR-Adapter
Art.No: 93067

Dimensions: 40 x 55 x 103 mm
Material color: black
Frequency: 2.4 GHz ISM band, GFSK
0.2 dBm + 5.3 dBi = 5.5 dBm



IR-PD3/4N-1C-E
Art.No: 93110

Battery: 3.0 V Lithium CR2032 (inclusive)
Dimensions: 80 x 60 x 8 mm
Material color: -



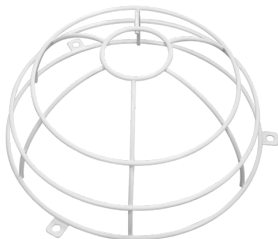
IR-PD3N
Art.No: 92105

Battery: 3.0 V Lithium CR2032 (inclusive)
Dimensions: 80 x 60 x 8 mm
Material color: -



IR-PD-Mini
Art.No: 92159

Battery: 3.0 V Lithium CR2032 (inclusive)
Dimensions: 57 x 35 x 7 mm
Material color: -



Wire basket BSK (Ø 200 x 90 mm)
Art.No: 92199

Dimensions: Ø 200 x 90 mm
Impact strength: IK09
Housing: coated steel basket



Square design frame PD3N-FC
Art.No: 92991

Dimensions: 83 x 83 x 8 mm
Housing: polycarbonate, UV-resistant
Material color: white mat, similar to RAL9010