

**B.E.G.****LUXOMAT®**

## PD3-1C-FC

Prod.No. 92197 EAN: 4007529921973

- Voltage: 110 - 240 V AC 50 / 60 Hz
- Dimensions: FC= Ø 85 x 79 mm
- Power consumption: < 0.3 W

### Order data

| Designation | Colour | Art.No |
|-------------|--------|--------|
| PD3-1C-FC   | white  | 92197  |

### Accessories

| Designation           | Colour | Art.No |
|-----------------------|--------|--------|
| Cover ring PD2/PD3 FC |        | 93085  |

## Technical data

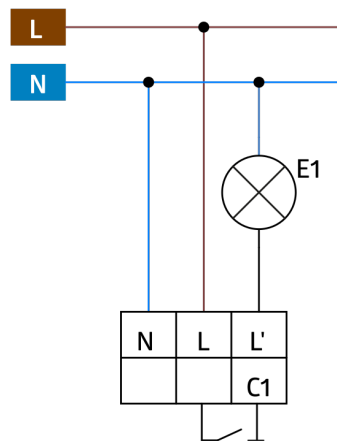
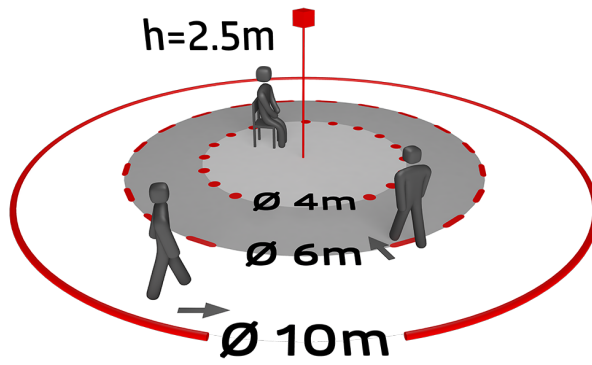
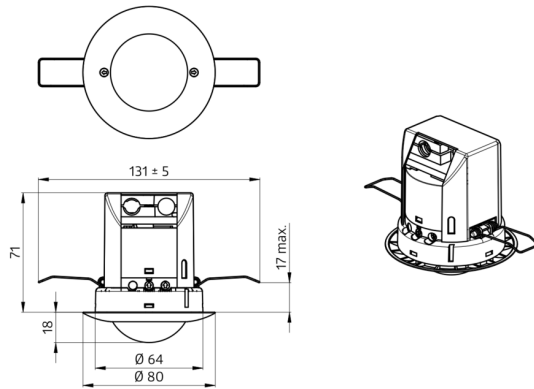
|   |  |
|---|--|
| Voltage:                                  | 110 - 240 V AC<br>50 / 60 Hz   |
| Dimensions:                               | FC= Ø 85 x 79<br>mm  |
| Power consumption:                        | < 0.3 W  |
| Detection area:                           | horizontal 360°<br>(Ceiling<br>mounting)<br>max. Ø 10 m<br>across<br>max. Ø 6 m<br>towards<br>max. Ø 4 m<br>seated |
| Range:                                    |  |
| Monitored area (tangential<br>movement):  | 78 m <sup>2</sup> / 2.5 m<br>mounting<br>height  |
| Mounting height<br>min./max./recommended: | 2 m / 5 m / 2.5<br>m   |
| Degree / class of<br>protection:          | FC= IP20 /<br>Class II   |
| Ambient temperature:                      | -25 °C to +50<br>°C  |
| Housing:                                  | polycarbonate,<br>UV-resistant   |
| Material color:                           | white mat,<br>similar to<br>RAL9010  |

### Channel 1 (lighting control)

|                      |  |
|----------------------|--|
| Switching power:     | 2000 W, $\cos \varphi$<br>= 1<br>1000 VA, $\cos \varphi$<br>= 0.5<br>250 W LED,<br>minimum<br>runtime > 5<br>min<br>max. inrush<br>current $I_p$ (20<br>ms) = 80 A |
| Type of contact (k): | $\mu$ -contact, NO<br>contact  |
| Follow-up time:      | 30 sec - 30<br>min, Pulse  |
| Switch-on threshold: | 10 - 2000 Lux  |

## Product information

|  |
|--|
| Ceiling motion detector  |
| One channel for light switching  |
| Zero crossing switching  |
| Switching for all types of light fixtures by high performance<br>relay |
| Special optical system for detection of even the smallest<br>movements |
| Serial impulse function  |



## Accessories



### **Cover ring PD2/PD3 FC**

Art.No: 93085

Dimensions: Ø 84 x 9 mm

Housing: polycarbonate, UV-resistant

Material color: jet black glossy, similar to RAL9005