

**B.E.G.****LUXOMAT®**

## PD2N-M-DACO DALI-2

Prod.No. 93452 EAN: 4007529934522

- Voltage: 230 V AC  $\pm 10\%$  50 Hz
- Dimensions:  $\varnothing 84 \times 85$  mm
- Power consumption: approx. 2 W

### Areas of application

- small offices
- open-plan offices

### Order data

Designation	Colour	Art.No
PD2N-M-DACO DALI-2	white	93452

### Accessories

Designation	Colour	Art.No
BLE-IR-Adapter	black	93067
IR-Adapter for Smartphones	black	92726
IR-PD-DALI	-	92094
IR-PD-DALI-LD	-	92652
IR-PD-DALI-E	-	92122
IR-PD-DALI-Mini	-	92112
SM socle mounting set IP54 PD2N H	white	93454
SM socle mounting set IP54 PD2N H	black	93783
SM socle mounting set IP54 PD2N H	traffic white	93782
SM socle mounting set IP54 PD2N H	anthracite	93781
Cover ring PD2N FC	black	93773
Cover ring PD2N FC	traffic white	93772

Cover ring PD2N FC	anthracite	93771
Wire basket BSK (Ø 200 x 90 mm)	white	92199
Wall holder PD2N/4N Typ A	white	93164
SM socket for Wall holder	white	93192

## Technical data

Voltage:	230 V AC $\pm$ 10% 50 Hz
Dimensions:	Ø 84 x 85 mm
Power consumption:	approx. 2 W
Slave devices:	up to 8
Detection area:	horizontal 360° (Ceiling mounting) max. Ø 10 m across max. Ø 6 m towards max. Ø 4 m seated
Range:	
Monitored area (tangential movement):	78 m <sup>2</sup> / 2.5 m mounting height
Mounting height min./max./recommended:	2 m / 5 m / 2.5 m
Degree / class of protection:	IP20 / Class II
Impact strength:	IK05
Ambient temperature:	-25 °C to +50 °C
Housing:	polycarbonate, UV-resistant
Material color:	white mat, similar to RAL9010

### Channel 1 (lighting control)

DALI output:	80 mA (guaranteed), 125 mA (max.), shut down mechanism
Supported control gear:	DT0, DT5, DT6, DT7
Supported control devices:	- (single master)
Follow-up time:	1 min – 150 min 10 – 30 % / OFF / 5 min – 60 min / $\infty$
Orientation light:	
Brightness set value:	10 – 2500 Lux
Light measuring:	Mixed light measuring

## Product information

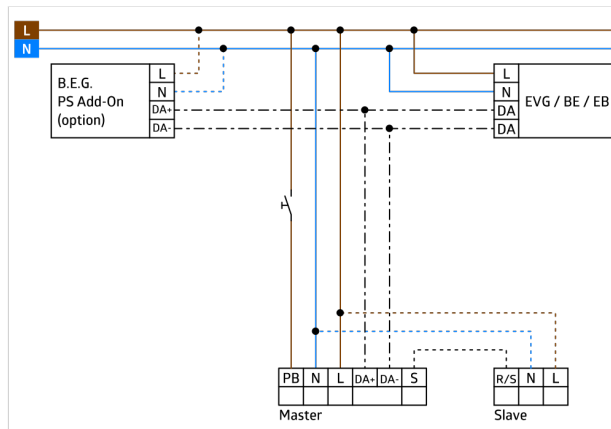
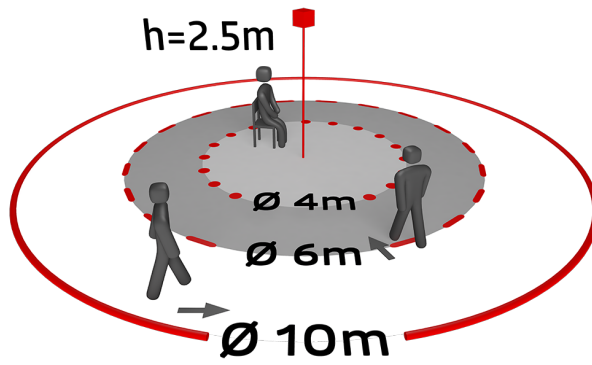
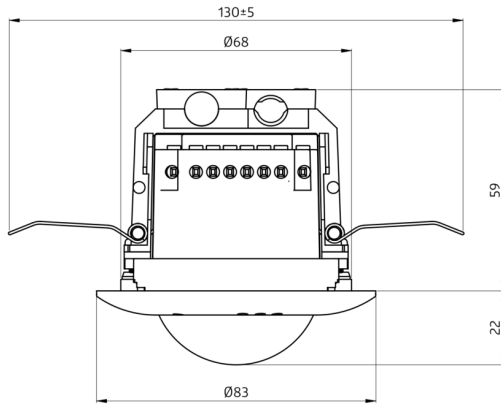
Occupancy detector with integrated DALI application controller for energy-efficient lighting control
DALI-2 certified product
Integrated DALI power supply
DALI interface for controlling digital, dimmable ECGs in broadcast mode
Manual switching or dimming via conventional pushbuttons
Bidirectional IR communication enables fast integration into the project management function of the B.E.G. One app
Complete range of functions can only be activated using the BLE-IR-Adapter and a compatible Smartphone or Tablet (Android, iOS).
Semi-automatic, full automatic, presence-independent or light-independent mode adjustable
Adjustable regulation dynamics (minimum and maximum values)
Adjustable speed and delay of the regulation
Single master version, not networkable
Detection area can be extended by using slave devices
Mixed light measurement with internal and external light sensor
DALI output power can be increased with accessories
Integrated daylight harvesting circuit (or switch output)
Adjustable switch-on value
Last value - Reminder function for switch-on value
Adjustable brightness set value and reflection factor
Indication of the current light sensor value in the B.E.G. One App
Self-check and display of device errors in the B.E.G. One App
Status LEDs can be activated / deactivated
PIN code
Corridor function - Deactivates the possibility to switch off the light via the push-button
Number of DALI participants can be determined quickly and reliably via the B.E.G. Online DALI Line Planner
Software is backwards compatible with the first generation (except DSI, double lock and corridor function)
Factory setting 10 min follow-up time and 500 lux brightness set value

Including pre-assembled spring clamp with strain relief and contact protection cap for recessed ceiling mounting

Accessory for surface mounting available

**Application examples:**

small offices, open-plan offices



## Accessories



**BLE-IR-Adapter**  
Art.No: 93067

Dimensions: 40 x 55 x 103 mm  
Material color: black  
Frequency: 2.4 GHz ISM band, GFSK  
0.2 dBm + 5.3 dBi = 5.5 dBm



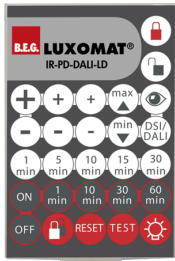
**IR-Adapter for Smartphones**  
Art.No: 92726

Dimensions: 47 x 19 x 10 mm  
Degree / class of protection: IP20  
Ambient temperature: -20 °C to +40 °C



**IR-PD-DALI**  
Art.No: 92094

Battery: 3.0 V Lithium CR2032 (inclusive)  
Dimensions: 80 x 60 x 8 mm  
Material color: -



**IR-PD-DALI-LD**  
Art.No: 92652

Battery: 3 x 1.5 V Micro AAA (not included)  
Dimensions: 83 x 53 x 17 mm  
Material color: -



**IR-PD-DALI-E**  
Art.No: 92122

Battery: 3.0 V Lithium CR2032 (inclusive)  
Dimensions: 80 x 60 x 8 mm  
Material color: -



**IR-PD-DALI-Mini**  
Art.No: 92112

Battery: 3.0 V Lithium CR2032 (inclusive)  
Dimensions: 57 x 35 x 7 mm  
Material color: -



**SM socle mounting set IP54 PD2N H**  
Art.No: 93454

Dimensions: Ø 110 x 65 mm  
Degree / class of protection: IP54  
Material color: white, similar to RAL9010



**SM socle mounting set IP54 PD2N H**  
Art.No: 93783

Dimensions: Ø 110 x 65 mm  
Degree / class of protection: IP54  
Material color: black, similar to RAL9005



**SM socle mounting set IP54 PD2N H**  
Art.No: 93782

Dimensions: Ø 110 x 65 mm  
Degree / class of protection: IP54  
Material color: traffic white, similar to RAL9016



**SM socle mounting set IP54 PD2N H**

Art.No: 93781

Dimensions: Ø 110 x 65 mm  
Degree / class of protection: IP54  
Material color: anthracite, similar to RAL7012



**Cover ring PD2N FC**

Art.No: 93773

Dimensions: Ø 82 x 13 mm  
Impact strength: IK05  
Housing: polycarbonate, UV-resistant



**Cover ring PD2N FC**

Art.No: 93772

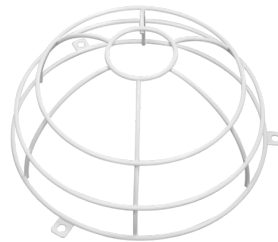
Dimensions: Ø 82 x 13 mm  
Impact strength: IK05  
Housing: polycarbonate, UV-resistant



**Cover ring PD2N FC**

Art.No: 93771

Dimensions: Ø 82 x 13 mm  
Impact strength: IK05  
Housing: polycarbonate, UV-resistant



**Wire basket BSK (Ø 200 x 90 mm)**

Art.No: 92199

Dimensions: Ø 200 x 90 mm  
Impact strength: IK09  
Housing: coated steel basket



**Wall holder PD2N/4N Typ A**

Art.No: 93164

Dimensions: 133 x 106 x 66 mm  
Degree / class of protection: IP54  
Housing: polycarbonate, UV-resistant



**SM socket for Wall holder**

Art.No: 93192

Dimensions: 103 x 80 x 26 mm  
Housing: polycarbonate, UV-resistant  
Material color: white