



L8-LEDN-HF

Prod.No. 94455 EAN: 4007529944552

- Voltage: 230 V AC $\pm 10\%$ 50 / 60 Hz
- Dimensions: \varnothing 300 x 110 mm
- Luminous flux / intensity: LED circuit board securely mounted
Colour temperature: 4000 K neutral white
Luminous flux of LED: 1400 lm
Luminous flux of light 1000 lm
Peak: 312 cd

Order data

Designation	Colour	Art.No
L8-LEDN-HF	white	94455

Technical data

Voltage:	230 V AC \pm 10% 50 / 60 Hz
Dimensions:	\varnothing 300 x 110 mm LED circuit board securely mounted Colour temperature: 4000 K neutral white
Luminous flux / intensity:	Luminous flux of LED: 1400 lm Luminous flux of light 1000 lm Peak: 312 cd
Efficiency:	83 lm/W
Photobiological safety:	RG 0
Colour reproduction:	CRI 81.3 / TM30: 80.4
Rated life time:	50000 h (L80/B10)
Power consumption:	12 W / PF 0.94
Degree / class of protection:	IP40 / Class I
Impact strength:	IK02
Ambient temperature:	-20 °C to +40 °C
Housing:	Coated sheet steel case with LED circuit board, plastic cover Lens: PMMA diffuser, white
Material color:	white
Microwave detector	
Radar / HF technology:	5.8 GHz, < 10 mW
Switching power:	1200 W, $\cos \varphi = 1$ 600 VA, $\cos \varphi = 0.5$
Detection area:	horizontal 360° \varnothing 0.4 - 16 m
Follow-up time:	5 sec - 15 min
Switch-on threshold:	2 - 2000 Lux

Product information

Round LED light for wall or ceiling mounting with integrated microwave detector

Energy efficient light with long service life > 50,000 hours

Broad light distribution using diffused light covers

Extremely short response time

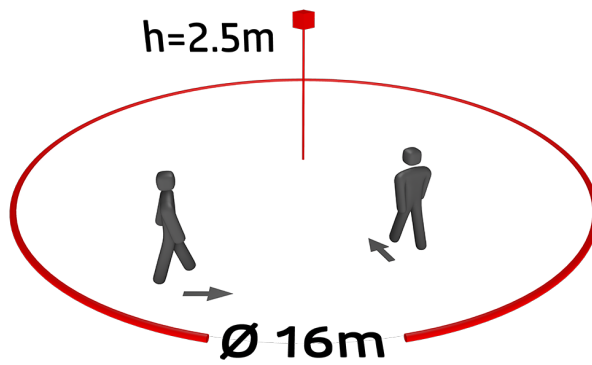
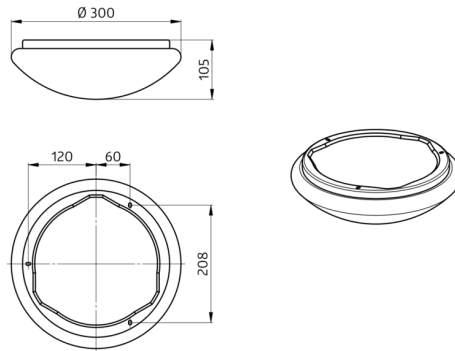
HF technology: 5.8 GHz - reacts to the smallest motion, independently of temperature

Microwave detector not visible externally

Possibility to connect other lights which are also controlled by the one microwave detector

Application examples:

corridors, halls, staircases, storage rooms, cellars, toilets



h (m)	Ø (m)	E (lx)
1.0	3.4	312
2.0	6.9	78
3.0	10.3	35
4.0	13.7	20
5.0	17.1	12

