



## ALC-B-360 SLU

Prod.No. 91301 EAN: 4007529913015

- Voltage: 230 V AC +/- 10% 50 / 60 Hz
- Dimensions: 185 x 107 x 147 mm
- Lamp: max. 100 W with bulb socket E 27

### Order data

| Designation   | Colour | Art.No |
|---------------|--------|--------|
| ALC-B-360 SLU | white  | 91301  |

### Accessories

| Designation          | Colour      | Art.No |
|----------------------|-------------|--------|
| SG Wien              | white       | 94113  |
| SG Oslo              | transparent | 94101  |
| Corner socket ALC-ES | black       | 91325  |
| Corner socket ALC-ES | white       | 91305  |

## Technical data

|                               |                                  |
|-------------------------------|----------------------------------|
| Voltage:                      | 230 V AC +/- 10% 50 / 60 Hz      |
| Dimensions:                   | 185 x 107 x 147 mm               |
| Lamp:                         | max. 100 W with bulb socket E 27 |
| Photobiological safety:       | RG 0                             |
| Degree / class of protection: | IP44 / Class II                  |
| Ambient temperature:          | -10 °C to +40 °C                 |
| Housing:                      | polycarbonate, UV-resistant      |
| Material color:               | white                            |

### Motion detector

|                      |   |
|----------------------|---|
| Switching power:     | 1000 W, $\cos \varphi = 1$<br>500 VA, $\cos \varphi = 0.5$              |
| Detection area:      | horizontal 350° (Wall mounting)<br>max. 10 m across<br>max. 6 m towards |
| Range:               | max. 4 m anti-creep protection  |
| Follow-up time:      | 4 sec - 10 min  |
| Switch-on threshold: | 2 - 1000 Lux  |

## Product information

System light lower sections ALC-B/-K with motion detector and twilight switch

ALC-B combinable with various system glasses. ALC-K includes system glass Crystal!

Vertical detection range 360° and horizontal detection range 120°

Wall or outer corner installation

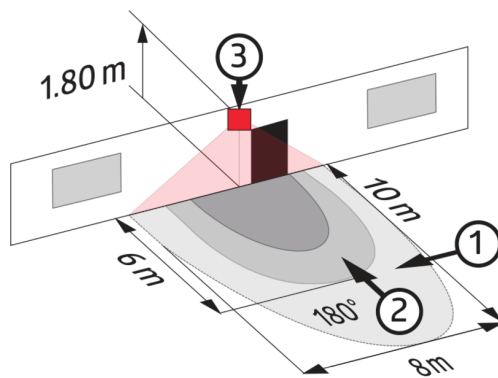
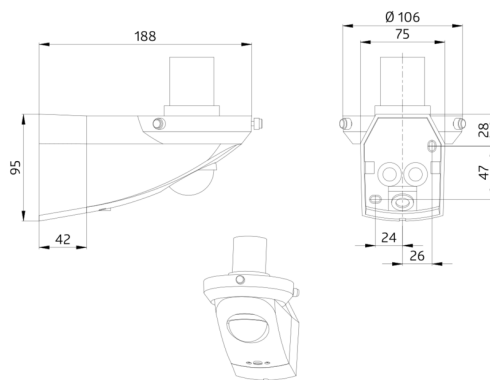
Time-saving single-handed plug-in base installation

Optional connection of additional lights switched by the one motion detector

Supply without lamp

### Application examples:

entrances, garages, patios, balconies, at entrance gates



## Accessories



### **SG Wien**

Art.No: 94113

Dimensions: (Rim Ø 82 mm) Ø 200 x 210 mm

Housing: opal - glossy  
Material color: white



### **Corner socket ALC-ES**

Art.No: 91305

Housing: polycarbonate, UV-resistant  
Material color: white



### **SG Oslo**

Art.No: 94101

Dimensions: (Rim Ø 82 mm) Ø 215 x 220 mm

Housing: bubble glass - Crystal  
Material color: transparent



### **Corner socket ALC-ES**

Art.No: 91325

Housing: polycarbonate, UV-resistant

Material color: black