



## AL8-25-300-LED-3C-HF

Prod.No. 93141 EAN: 4007529931415

- Voltage: 200 - 240 V AC 50 Hz
- Dimensions: Ø 300 x 50 mm
- Colour temperature: 3000 / 4000 / 5700 K

### Areas of application

- equipment rooms
- corridors/hallways
- staircases
- toilets
- entrance halls
- plumbed rooms/bathrooms

### Order data

Designation	Colour	Art.No
AL8-25-300-LED-3C-HF	white	93141

### Accessories

Designation	Colour	Art.No
Protection ring AL8	white	93014

## Technical data

Voltage:	200 – 240 V AC 50 Hz
Dimensions:	Ø 300 x 50 mm
Colour temperature:	3000 / 4000 / 5700 K
Luminous flux / intensity:	2000 / 2500 / 2400 lm
Anti-glare:	UGR < 25
Efficiency:	80 / 100 / 96 lm/W
Photobiological safety:	RG 0
Colour reproduction:	CRI > 80 / TM30: 82
Rated life time:	50000 h (L80/B10)
Power consumption:	25 W / PF 0.9
Degree / class of protection:	IP20 / Class II
Flammability rating:	UL-94 V2, 750 °C
Impact strength:	IK10
Ambient temperature:	-20 °C to +45 °C
Housing:	polycarbonate, UV-resistant
Material color:	white, similar to RAL9016

### Microwave detector

Radar / HF technology:	5.8 GHz, < 0.5 mW
Detection area:	horizontal 360° (Ceiling mounting) Ø 2 – 12 m
Range:	max. 7 m towards
Follow-up time:	20 sec – 10 min
Switch-on threshold:	inactive / 5 – 50 Lux

## Product information

Flat round LED luminaires for wall or ceiling mounting

Three colours in one light, switchable selection between warm, neutral or daylight white illumination

Energy efficient light with long service life > 50,000 hours

Broad light distribution using diffused light covers

Integrated microwave sensor, not externally visible, wide detection range

HF technology: 5.8 GHz - reacts to the smallest motion, independently of temperature

DIP switches to set follow-up time, switch-on threshold and sensor sensitivity

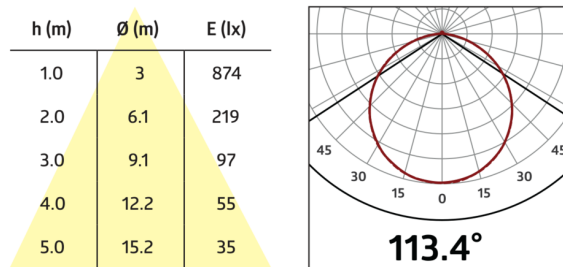
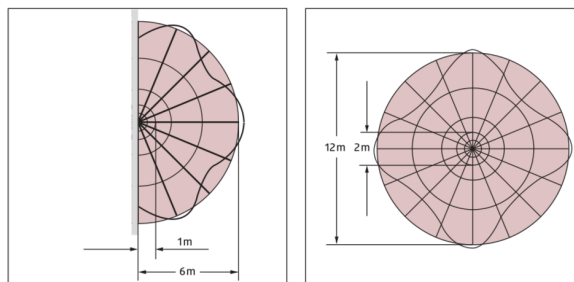
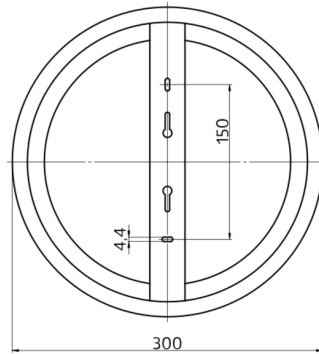
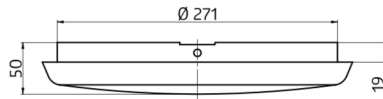
Sturdy plastic case made of polycarbonate

high fire protection rating

Simple mounting with separate mounting bracket

### Application examples:

equipment rooms, corridors/hallways, staircases, toilets, entrance halls, plumbed rooms/bathrooms



## Accessories



### **Protection ring AL8**

Art.No: 93014

Dimensions: Ø 305 x 19 mm

Material color: white