



AL1 130

Prod.No. 91400 EAN: 4007529914005

- Voltage: 230 V AC +/- 10% 50 / 60 Hz
- Dimensions: 95 x 110 x 315 mm
- Lamp: max. 60 W with bulb socket E 27

Order data

Designation	Colour	Art.No
AL1 130	white	91400

Technical data

Voltage:	230 V AC +/- 10% 50 / 60 Hz
Dimensions:	95 x 110 x 315 mm
Lamp:	max. 60 W with bulb socket E 27
Photobiological safety:	RG 0
Degree / class of protection:	IP44 / Class II
Ambient temperature:	-10 °C to +40 °C
Housing:	polycarbonate, UV-resistant
Material color:	white

Motion detector

Switching power:	1000 W, $\cos \varphi = 1$ 500 VA, $\cos \varphi = 0.5$
Detection area:	horizontal 130° (Wall mounting)
Range:	max. 9 m across max. 3 m towards
Follow-up time:	4 sec - 10 min
Switch-on threshold:	2 - 1000 Lux

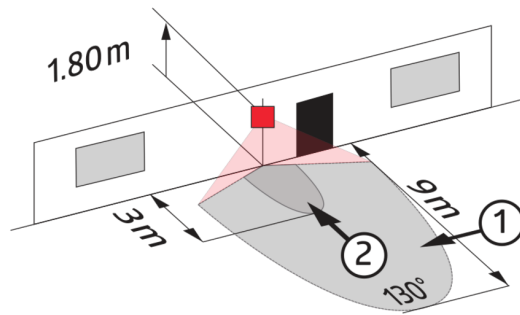
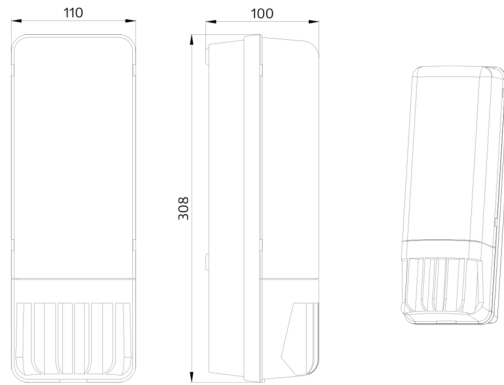
Product information

AL1 all-purpose light with 130° motion detector

Additional lights can be switched simultaneously by the one motion detector

Potentiometer for adjustment of follow-up time and switch-on threshold behind detachable cover

Supply without lamp



h (m)	Ø (m)	E (lx)
1.0	6.1	36
2.0	12.2	9
3.0	18.3	4
4.0	24.4	2
5.0	30.5	1

